

Technical description

1. Desks

1.1. Table top

Fixed or sliding table tops – finish options:

- melamine faced chipboard (MFC), thickness 25 mm or 19 mm, 2 mm edge in glue technology as standard, or laser edge as an option,
- laminate: both parts of chipboard covered with laminate, thickness 25 mm, 2 mm edge in glue technology as standard, or laser edge as an option,
- veneer: both parts of chipboard covered with veneer, thickness 25 mm, 2 mm natural edge as standard,
- Fenix NTM – upper part of chipboard covered with Fenix NTM laminate, bottom part covered with anti-resilient laminate in grey colour, thickness 25 mm, 1 mm laser edge as standard.

Available shapes of fixed and sliding table tops: rectangular in wide range of dimensions. Grommets and media ports (in various types and configurations) are an integral part of the product and they do not have to be ordered separately – available as an option. Exceptions are: MEDIAPORT DESK2 3M, MEDIAPORT DESK2 4M, MEDIAPORT STEP 4M, which have to be ordered separately.

1.2. Base

T-legs or C-legs with electric height adjustment
Leg consist of three-segment angular column made of steel profile:

- square column, dimensions: 70 × 70, 65 × 65, 60 × 60 mm, from bottom to top respectively,
- rectangular column, dimensions: 90 × 60, 85 × 55, 80 × 50 mm, from bottom to top respectively.

Each column is equipped with a drive connected with control box. Available plug standards: European (EU), British (GB), and Swiss (CH).

Control panels for height adjustment:

- up & down button as standard,
- control panel with display and memory function (4 positions), as an option.

Anti-Collision function (with an external gyro sensor) – while moving part of the desk hits an obstacle, function detects table top tilt, then table top stops and reverses to safe position. Function available as standard.

Foot types:

- foot XI1 (ends rounded at 30° angle),
 - foot XI2 (ends rounded at 90° angle),
 - foot XI3 (ends rounded at 120° angle).
- Feet are equipped with levelling glides, levelling in range of 10 mm.

Fixed frame – welded.

Desk base divider – recommended to use for safety reasons, when making arrangement of two or more desks with height adjustment. Distance between table tops: 25 mm.

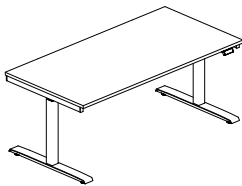
Available dividers:

- for linear arrangement of desks,
- for block arrangement of desks.

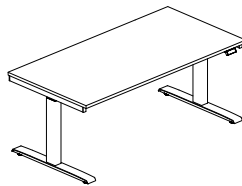
Finish options: powder-coated in White aluminium (RAL 9006), Jet black (RAL 9005) or Pure white (RAL 9010) colour.

1.3. Product range

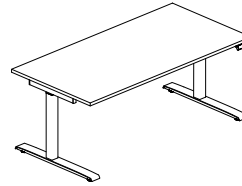
Bases



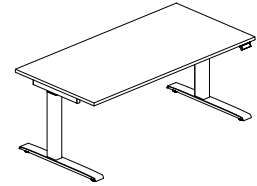
T-legs with electric height adjustment, square column



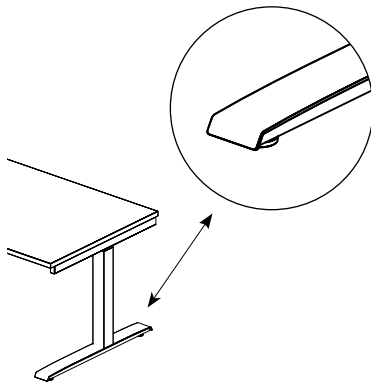
T-legs with electric height adjustment, rectangular column



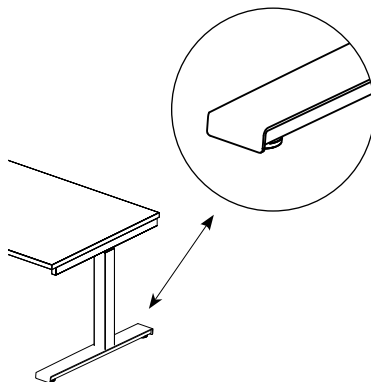
C-legs with electric height adjustment, square column



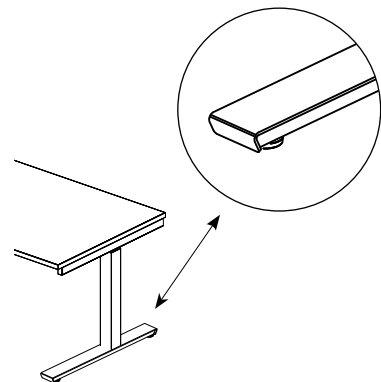
C-legs with electric height adjustment, rectangular column



Foot type XI1



Foot type XI2

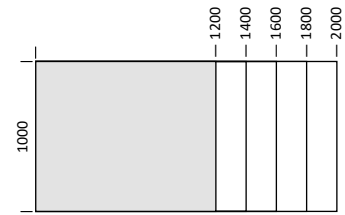
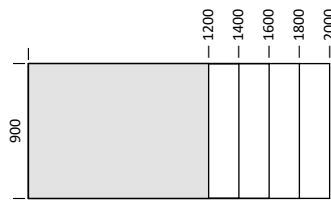
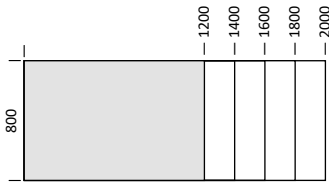


Foot type XI3

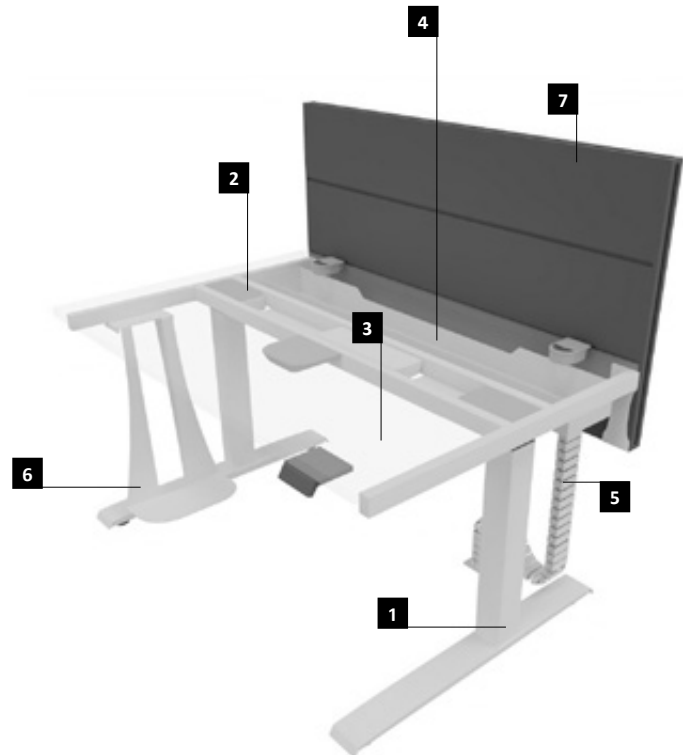
Technical description

Table tops:

Rectangular



- 1** C-leg with electric height adjustment
- 2** Frame – sliding table top
- 3** Table top
- 4** Horizontal wire trunking
- 5** Vertical wire trunking – flexible modular
- 6** PC holder
- 7** Upper desk panel, fully upholstered, front



Technical description

2. Workbenches

2.1. Table top

Fixed or sliding table tops – finish options:

- melamine faced chipboard (MFC), thickness 25 mm or 19 mm, 2 mm edge in glue technology as standard, or laser edge as an option,
- laminate: both parts of chipboard covered with laminate, thickness 25 mm, 2 mm edge in glue technology as standard, or laser edge as an option,
- veneer: both parts of chipboard covered with veneer, thickness 25 mm, 2 mm natural edge as standard,
- Fenix NTM – upper part of chipboard covered with Fenix NTM laminate, bottom part covered with anti-resilient laminate in grey colour, thickness 25 mm, 1 mm laser edge as standard.

Available shapes of fixed and sliding table tops: rectangular in wide range of dimensions. Grommets and media ports (in various types and configurations) are an integral part of the product and they do not have to be ordered separately – available as an option. Exceptions are MEDIAPORT DESK2 3M, MEDIAPORT DESK2 4M, MEDIAPORT STEP 4M, which have to be ordered separately.

2.2 Base

H-legs with electric height adjustment – consist of three-segment angular columns made of steel profile, placed inside welded H-shape leg frame.

Available column shapes:

- square column, dimensions: 70 × 70, 65 × 65, 60 × 60 mm, from bottom to top respectively,
- rectangular column, dimensions: 90 × 60, 85 × 55, 80 × 50 mm, from bottom to top respectively.

H-shape leg frame is laser welded with crossbeam, made of steel profile 60 × 60 mm. Dimensions of H-shape leg frame vertical profiles:

- for square column 75 × 75 mm,
- for rectangular column 95 × 65 mm.

Legs are equipped with levelling glides, levelling in range of 10 mm.

Each column is equipped with a drive connected with control box. Available plug standards: European (EU), British (GB), and Swiss (CH).

Control panel for height adjustment:

- up & down button as standard,
- control panel with display and memory function (4 positions), as an option.

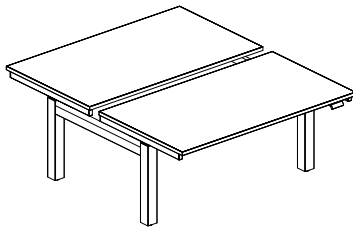
Anti-Collision function (with an external gyro sensor) – while moving part of the desk hits an obstacle, function detects table top tilt, then table top stops and reverses to safe position. Function available as standard.

Fixed frame – welded.

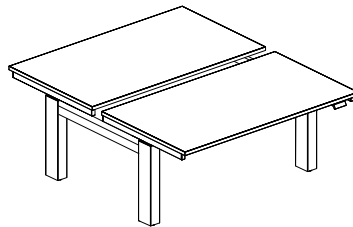
Finish options: powder-coated in White aluminium (RAL 9006), Jet black (RAL 9005) or Pure white (RAL 9010) colour.

2.3. Product range

Bases



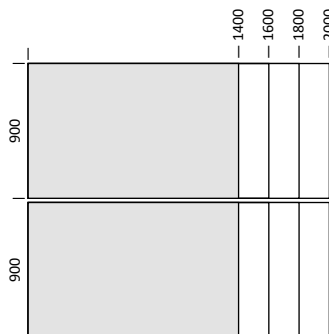
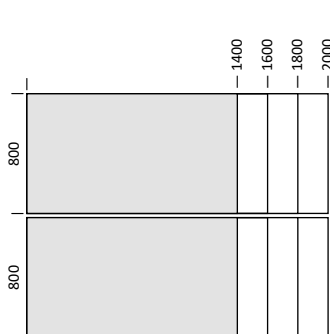
H-legs with electric height adjustment,
square column



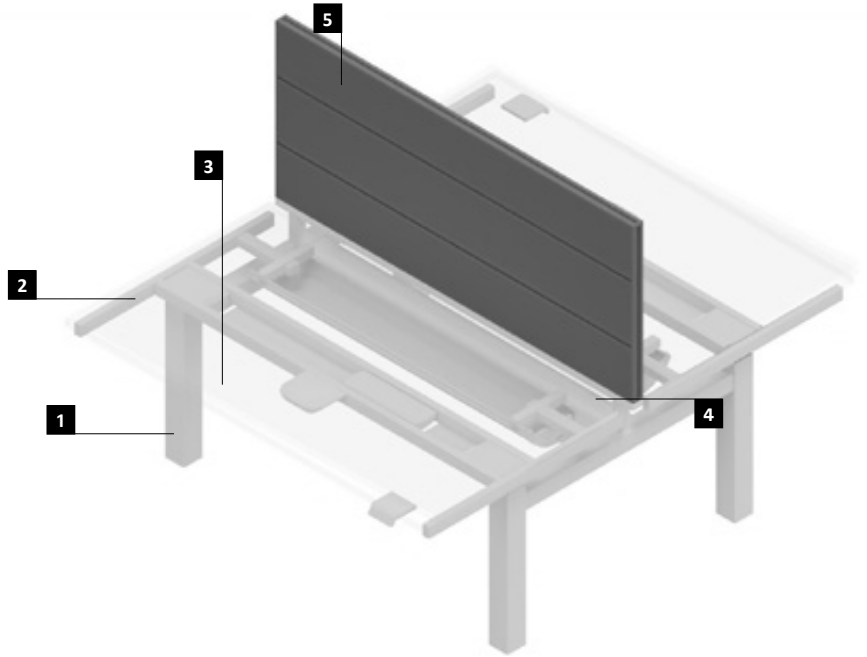
H-legs with electric height adjustment,
rectangular column

Table tops:

Rectangular



Technical description



- 1** H-leg with electric height adjustment
- 2** Frame – sliding table top
- 3** Table top
- 4** Horizontal wire trunking – shared
- 5** Upper workbench panel, fully upholstered

Technical parameters:

- Anti-Collision technology with gyro sensor,
- protection against overheating,
- smooth start & stop,
- smooth up & down movement,
- speed 38 mm/s,
- noise < 45 dB,
- power consumption in standby mode < 0.3 W,
- load capacity 100 kg per table top/two columns,
- 660 mm maximum stroke,
- AC alternating current drive power supply.

	ADJUSTMENT RANGE	
	DESKS WITH T-LEG OR C-LEG BASE (FOOT MODEL XI1, XI2, XI3)	WORKBENCH WITH H-LEG BASE
Electric height adjustment with table top thickness 25 mm	640–1300 mm	640–1300 mm
Electric height adjustment with table top thickness 19 mm	634–1294 mm	634–1294 mm

Technical description

3. Table top finishes combinations*

		TABLE TOP FINISH –19 MM MELAMINE FACED CHIPBOARD (MFC)													
		BI	CC	MB	MP	MS	NB	NH	NJ	NL	NZ	NT	ML	MK	
EDGE FINISH	2 MM LASER	BI	o	o	o	o	o	o	o	o	o	o	o	o	o
		MB	o	o	o	o	o	o	o	o	o	o	o	o	o
		MP	o	o	o	o	o	o	o	o	o	o	o	o	o
		NH	o	o	o	o	o		o						o
		NJ	o	o	o	o	o			o					o
	2 MM GLUE TECHNOLOGY	BI	o	o	o	o	o	o	o	o	o	o	o	o	o
		CC	o	o	o	o	o	o	o	o	o	o	o	o	o
		MB	o	o	o	o	o	o	o	o	o	o	o	o	o
		MP	o	o	o	o	o	o	o	o	o	o	o	o	o
		MS	o	o	o	o	o	o	o	o	o	o	o	o	o
		NB	o	o	o	o	o	o		o					o
		NH	o	o	o	o	o		o						o
		NJ	o	o	o	o	o			o					o
		NL	o	o	o	o	o				o				o
NZ	o	o	o	o	o					o			o		
NT	o	o	o	o	o						o		o		
ML	o	o	o	o	o							o	o		
MK	o	o	o	o	o	o	o	o	o	o	o	o	o		

*Note: available colour for table tops varies according to thickness.

Technical description

		TABLE TOP FINISH – 25 MM MELAMINE FACED CHIPBOARD (MFC)																							
		BI	BZ	CC	MB	MP	MS	NM	NS	NR	NK	NA	NB	NC	NH	NJ	NL	NZ	NT	NV	NP	MK	ML		
EDGE FINISH	2 MM LASER	BI	o	o	o	o	o	o	o	o	o	o	o	o	o	o	o	o	o	o	o	o	o		
		MB	o	o	o	o	o	o	o	o	o	o	o	o	o	o	o	o	o	o	o	o	o	o	
		MP	o	o	o	o	o	o	o	o	o	o	o	o	o	o	o	o	o	o	o	o	o	o	
		NB	o	o	o	o	o	o	o	o	o	o	o	o	o	o	o	o	o	o	o	o	o	o	
		NH	o	o	o	o	o	o	o	o	o	o	o	o	o	o	o	o	o	o	o	o	o	o	
		NJ	o	o	o	o	o	o	o	o	o	o	o	o	o	o	o	o	o	o	o	o	o	o	o
		NA	o	o	o	o	o	o	o	o	o	o	o	o	o	o	o	o	o	o	o	o	o	o	o
	2 MM GLUE TECHNOLOGY	BI	o	o	o	o	o	o	o	o	o	o	o	o	o	o	o	o	o	o	o	o	o	o	
		MB	o	o	o	o	o	o	o	o	o	o	o	o	o	o	o	o	o	o	o	o	o	o	
		MP	o	o	o	o	o	o	o	o	o	o	o	o	o	o	o	o	o	o	o	o	o	o	
		BZ	o	o	o	o	o	o	o	o	o	o	o	o	o	o	o	o	o	o	o	o	o	o	
		CC	o	o	o	o	o	o	o	o	o	o	o	o	o	o	o	o	o	o	o	o	o	o	o
		MS	o	o	o	o	o	o	o	o	o	o	o	o	o	o	o	o	o	o	o	o	o	o	o
		NM	o	o	o	o	o	o	o	o	o	o	o	o	o	o	o	o	o	o	o	o	o	o	o
		NS	o	o	o	o	o	o	o	o	o	o	o	o	o	o	o	o	o	o	o	o	o	o	o
		NR	o	o	o	o	o	o	o	o	o	o	o	o	o	o	o	o	o	o	o	o	o	o	o
		NK	o	o	o	o	o	o	o	o	o	o	o	o	o	o	o	o	o	o	o	o	o	o	o
		NA	o	o	o	o	o	o	o	o	o	o	o	o	o	o	o	o	o	o	o	o	o	o	o
		NB	o	o	o	o	o	o	o	o	o	o	o	o	o	o	o	o	o	o	o	o	o	o	o
		NC	o	o	o	o	o	o	o	o	o	o	o	o	o	o	o	o	o	o	o	o	o	o	o
		NH	o	o	o	o	o	o	o	o	o	o	o	o	o	o	o	o	o	o	o	o	o	o	o
		NJ	o	o	o	o	o	o	o	o	o	o	o	o	o	o	o	o	o	o	o	o	o	o	o
NL	o	o	o	o	o	o	o	o	o	o	o	o	o	o	o	o	o	o	o	o	o	o	o		
NZ	o	o	o	o	o	o	o	o	o	o	o	o	o	o	o	o	o	o	o	o	o	o	o		
NT	o	o	o	o	o	o	o	o	o	o	o	o	o	o	o	o	o	o	o	o	o	o	o		
NV	o	o	o	o	o	o	o	o	o	o	o	o	o	o	o	o	o	o	o	o	o	o	o		
NP	o	o	o	o	o	o	o	o	o	o	o	o	o	o	o	o	o	o	o	o	o	o	o		
MK	o	o	o	o	o	o	o	o	o	o	o	o	o	o	o	o	o	o	o	o	o	o	o		
ML	o	o	o	o	o	o	o	o	o	o	o	o	o	o	o	o	o	o	o	o	o	o	o		

4. Grommets, media ports

4.1 Grommets

Grommets are an integral part of the desk or workbench and they do not have to be ordered separately – available as an option.

Grommet – made of plastic available types:

- oval in light grey (G), silver (SI) or black (B) colour, dedicated for fixed and sliding table tops, assembled in cut outs made on the edge of table top,
- square 90 × 90 mm, for Ø 80 mm cut out, in white (W), aluminium (AU) or black (B) colour, dedicated for fixed table tops only,

- Ø 90 mm round for Ø 80 mm cut out in light grey (G), silver (SI), black (B) or matt chrome (MC) colour, dedicated for fixed table tops only.

Rectangular outlet with brush – made of anodized aluminium (AL). Dimension: 240 × 100 mm, dedicated for fixed table tops only.

4.2. Media ports

Media ports are an integral part of the desk or workbench and they do not have to be ordered separately – available as an option. Exeptions are: MEDIA PORT DESK2 3M, MEDIA PORT

DESK2 4M, MEDIA PORT STEP 4M, which have to be ordered separately.

Available media ports:

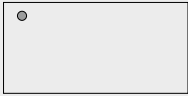
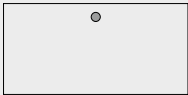
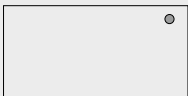


- Netbox M 4M with rectangular outlet with brush in set,
- Powerdot 1M,
- miniBatt Fr80 wireless charger.

Note: more details in grommets and media ports positioning in [matrix](#).

Technical description

Grommets and media ports for desks and workbenches

Media ports are available only for fixed table tops.

		Grommets/media ports position			
		Grommets			
		Applicable for fixed table top only			Applicable for fixed or sliding table top
		Plastic, square 90 × 90 mm	Plastic, round Ø 80 mm	Aluminium, rectangular outlet with brush 240 × 100 mm	Plastic, oval
		QA-④	80-④	QM-ALU	OV-④
 <p>Left</p>		QA-④/0/0	80-④/0/0		OV-④/0/0
 <p>Middle</p>		0/QA-④/0	0/80-④/0	0/QM-ALU/0	0/OV-④/0
 <p>Right</p>		0/0/QA-④	0/0/80-④		0/0/OV-④
 <p>Left + right</p>	QA-④	QA/0/QA-④			
	80-④		80/0/80-④		
	OV-④				OV/0/OV-④
 <p>Left + middle + right</p>	QA-④	QA/QA/QA-④			
	80-④		80/80/80-④		
	OV-④				OV/OV/OV-④

Grommet finishes (grommets within one product in the same colour)





④ – Plastic, square grommet 90×90mm (QA) finish:
W – White
AU – Aluminium
B – Black

④ – Plastic, round grommet Ø80mm (80) finish:
G – Light grey
SI – Silver
B – Black

④ – Plastic, oval grommet (OV) finish:
G – Light grey
SI – Silver
B – Black

Aluminium, rectangular outlet with brush 240×100mm
(QM) finish:
ALU – Alu

* – see media ports configuration

		Grommets/media ports position		
		Media ports		
		Applicable for fixed table top only		
		Wireless charger miniBatt Fr80 Ø 80 mm*	Media port Powerdot 1M Ø 80 mm*	Netbox M 4M* (with aluminium, rectangular outlet with brush 240 × 100 mm included)
		YA●●●	YO●●●	YM●●●
 Left		YA●●●/0/0	YO●●●/0/0	
 Middle				0/YM●●●/0
 Right		0/0/YA●●●	0/0/YO●●●	
 Left + right	QA-④	QA-④/0/YA●●●	QA-④/0/YO●●●	
		YA●●●/0/QA-④	YO●●●/0/QA-④	
	80-④	80-④/0/YA●●●	80-④/0/YO●●●	
		YA●●●/0/80-④	YO●●●/0/80-④	
	OV-④	OV-④/0/YA●●●	OV-④/0/YO●●●	
		YA●●●/0/OV-④	YO●●●/0/OV-④	

Grommet finishes (grommets within one product in the same colour)

④ – Plastic, square grommet 90×90mm (QA) finish:
 W – White
 AU – Aluminium
 B – Black

④ – Plastic, round grommet Ø80mm (80) finish:
 G – Light grey
 SI – Silver
 B – Black

④ – Plastic, oval grommet (OV) finish:
 G – Light grey
 SI – Silver
 B – Black

Aluminium, rectangular outlet with brush 240×100mm
 (QM) finish:
 ALU – Alu

* – [see media ports configuration](#)

Technical description

5. Panels

5.1 Desk panels

Upper, fully upholstered with aluminium frame, front – structure is made of chipboard with fabric cover, placed into aluminium frame. Panel thickness 40 mm, height 650 mm. Panel is equipped with organiser strips on both sides for hanging accessories. Assembly with metal brackets to desk frame.

Brackets, aluminium frame and organiser strips finish options: powder-coated in White aluminium (RAL 9006), Jet black (RAL 9005) or Pure white (RAL 9010) colour.

Modesty, front – finish options:

- melamine faced chipboard (MFC), thickness 19 mm, with 2 mm edge in glue technology as standard,
- veneer – both sides of chipboard covered with veneer, thickness 19 mm, 2 mm natural edge as standard.

Assembly directly to fixed table tops with dedicated metal brackets, for sliding table tops assembly to frame.

Brackets finish options: powder-coated in White aluminium (RAL 9006), Jet black (RAL 9005) or Pure white (RAL 9010) colour.

Modesty, front, perforated metal – made of metal sheet, thickness 1,5 mm. Available square perforation. Assembly directly to fixed table tops with dedicated metal brackets, for sliding table tops panel assembled to frame.

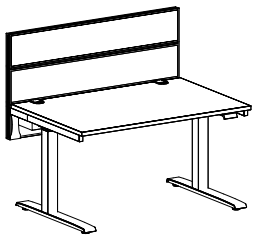
Panel and brackets finish options: powder-coated in White aluminium (RAL 9006), Jet black (RAL 9005) or Pure white (RAL 9010) colour.

5.2 Workbench panels

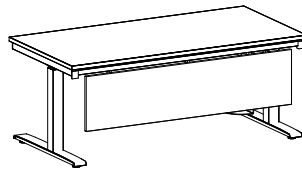
Upper, fully upholstered with aluminium frame – structure is made of chipboard with fabric cover, placed into aluminium frame. Panel thickness 40 mm, height 600 mm. Panel is equipped with organiser strips on both sides for hanging accessories. Assembly with metal brackets to workbench crossbeams.

Upper, fully upholstered with aluminium frame, acoustic – structure is made of chipboard covered with sound-absorbing foam filling and fabric cover, placed into aluminium frame. Panel thickness 40 mm, height 600 mm. Panel is equipped with organiser strips on both sides for hanging accessories. Assembly with metal brackets to workbench crossbeams.

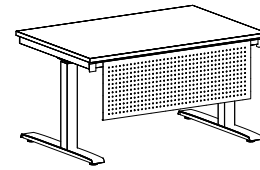
Brackets, aluminium frame and organiser strips finish options: powder-coated in White aluminium (RAL 9006), Jet black (RAL 9005) or Pure white (RAL 9010) colour.



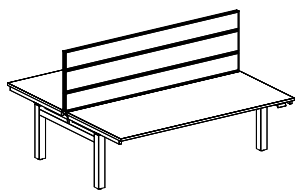
Upper desk panel, fully upholstered with aluminium frame, front



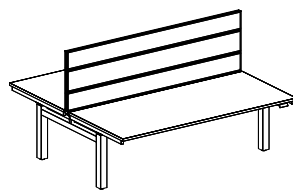
Modesty desk panel – board:
– melamine faced chipboard (MFC)
– veneer



Modesty desk panel, perforated metal



Upper workbench panel, fully upholstered with aluminium frame



Upper workbench panel, fully upholstered with aluminium frame, acoustic

6. Cable management

6.1. Horizontal wire trunkings

Foldable – dedicated to desks and workbenches, made of steel sheet, thickness 1 mm, powder-coated in White aluminium (RAL 9006), Jet black (RAL 9005) or Pure white (RAL 9010) colour. Assembly directly to fixed table top with dedicated plastic brackets. Wire trunking is already equipped with cut outs that allow to integrate it with vertical wire trunking.

Fixed for sliding table tops – dedicated to desks and workbenches, made of steel sheet, thickness 1,5 mm, powder-coated in White aluminium (RAL 9006), Jet black (RAL 9005) or Pure white (RAL 9010) colour. Assembly directly to sliding table top frame. Wire trunking is already equipped with cut outs that allow to integrate it with vertical wire trunking. It is equipped with an internal cable management system.

Foldable on both sides, for fixed table top – dedicated to desks and workbenches, made of aluminium profile, powder-coated in White

aluminium (RAL 9006), Jet black (RAL 9005) or Pure white (RAL 9010) colour. Assembly directly to fixed table top with dedicated plastic brackets. It is equipped with an internal cable management system.

Foldable on both sides, for sliding table top – dedicated to desks and workbenches, made of aluminium profile, powder-coated in White aluminium (RAL 9006), Jet black (RAL 9005) or Pure white (RAL 9010) colour. It is equipped with an internal cable management system. Assembly to frame with dedicated metal brackets, which are equipped with cut outs for integration with vertical wire trunking.

Shared (dedicated to workbench) – made of steel sheet, thickness 1 mm, with metal cover, powder-coated in White aluminium (RAL 9006), Jet black (RAL 9005) or Pure white (RAL 9010) colour. Assembly directly to workbench crossbeams.

6.2. Vertical wire trunkings

Flexible modular – dedicated to desks and workbenches, made of plastic in alu, black or white colour. Assembly directly to table top or horizontal wire trunking.

Flexible modular with magnet – dedicated to desks, upper part made of plastic in alu, black or white colour, bottom part made of aluminium. Aluminium element is powder-coated in White aluminium (RAL 9006), Jet black (RAL 9005) or Pure white (RAL 9010) colour. Upper part assembled directly to fixed table top or horizontal wire trunking and bottom part fixing to desk leg via magnetic tape.

Flexible modular shared (dedicated to workbench) – made of plastic in alu, black or white colour. Set consists of three elements. Two upper elements are assembled directly to fixed table top, connected to horizontal shared wire trunking. Bottom part assembled to shared horizontal wire trunking.

7. Technical regulations, certificates and quality marks (for selected product configurations)

GS safety certificate.